

Description

The STM [large format heat press](#) machine is specially designed for large size cloth, metallic sheet and MDF board, etc. With user-friendly and labour-saving design, Microtec STM [semi-auto heat press](#) is one of our best selling large heat press machines. We highly recommend this [heat press](#) for imprinting industry use.

There are three sizes of STM [heat press machine](#): 32"x40"/40"x48"/40"x55". Customers can choose different size accordingly. With semi-auto function, the machine will open automatically after count-down.

For [large format heat press machine](#), the quality is the essential. The heavy duty and sturdy structure ensures the service life; The high-quality heat platen ensure even heating of machine; The draw-out base plate prevents accidental scalding. Also, this machine has 4 wheels, which make sure the machine can be moved and located in wherever it need to be.

STM [semi-auto large format heat press machine](#) is suitable for printing garment, sublimation metal prints and similar larger items.

This sublimation heat press machine can be used in almost all areas of technology heat transfer.



The advertisement features the Microtec logo (a stylized 'M' with three vertical lines) and the text 'MICROTEC' in blue. Below this, the main title 'Economic Large format Semi-Auto Heat Press Machine' is written in large, bold, red and black font. To the right is a photograph of the machine, which is a large, industrial-style heat press with a red control panel and a black frame. The machine has a large flat platen and a handle on top. Below the title, a blue box contains the model number 'Model No.: STM-40/48/55' and the dimensions '80*100cm/100*120cm/100*140cm'. Below this, a list of features is provided in a blue box with white text.

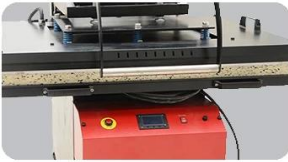
Model No.: STM-40/48/55
80*100cm/100*120cm/100*140cm

- No Air Compressor Needed
- Digital Temp. & Time Control
- 2 year warranty on entire press

Feature



Strong Gas Spring: With 4 gas spring of 135KG, the machine is working with even pressure and keep the transfer result consistently.



Draw-out Base Plate: With stronger handle, the operator can draw out the under base without any difficulty.



Emergency Stop Switch: In case of any emergency, the operator can press down this switch to stop the operation.



GY-06 Digital Controller: Simple to operate. With GY-06 digital controller, facilitating straightforward operation and setup. Its user-friendly interface ensures seamless control during the heat transfer process.

Specification

Model No.	STM-40/ STM-48/ STM-55
Machine Type	Auto Release, Clamshell
Platen Size	32"x40"/ 40"x48"/ 40"x55" (80x100cm/ 100x120cm/ 100x140cm)
Under Plate	Draw-out
Controller	GY-06 Digital Time & Temp. Control
Printable Articles	Up to 28mm Thickness
Gas Spring Control	Yes
Voltage	220V 1phase/ 220V 3phase/ 380V 3phase
Power	5.1KW/ 7.5KW/ 9KW
Time Range	0-999 sec.
Maximum Temp.	225 C
Temperature Accuracy	±0.5%
High Pressure	8kg/cm
Packing Size	154x124x151cm/ 152x142x152cm/ 159x149x159cm
Gross Weight	398kg/ 501kg/ 534kg (Wooden Package)

Application

STM Automatic Large Heat Press Machine is capable of handling a wide range of items beyond T-shirts, the STM is a versatile tool for various heat transfer needs, making it a popular choice globally.



Gallery

STM Large Format Semi-Automatic Heat press

Model. No.: STM-40/48/55

Feature:

- ◆ Auto open, large format
- ◆ Digital Temperature & Time Control
- ◆ Automatic Alarm
- ◆ 1 year warranty on entire press
- ◆ Wooden Package

Specification:

- ◆ Machine Type: Auto Release, Clamshell
- ◆ Platen Size: 32"x40"/40"x48"/40"x64"
(80x100cm/ 100x120cm/100x140cm)
- ◆ Under Plate: Draw-out
- ◆ Controller: GY-06 Digital Time & Temp. Control
- ◆ Printable Articles: Up to 20mm Thickness
- ◆ Gas Spring Control: Yes
- ◆ Voltage: 220V 1phase/ 220V 3phase/ 380V 3phase
- ◆ Power: 5.1KW/ 7.5KW/ 9KW
- ◆ Time Range: 0-999 sec.
- ◆ Maximum Temp: 225 C
- ◆ Temperature Accuracy: ±0.5%
- ◆ High Pressure: 8KG/CM
- ◆ Packing Size: 154x124x147cm / 154x142x147cm / 149x159x149cm
- ◆ Gross Weight: 450kg (Wooden Package)





Recycled Cotton Pad



Strong Arm



Emergency Stop Switch



Anti-scald Protection
Metal Cover



GY-06 Digital
Time & Temp. Control

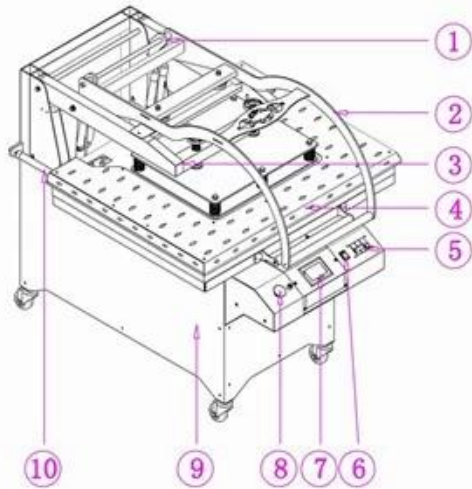


Draw-out Under Plate

Application:

◆Especially for Large Size colth, banner, also for T-shirt, Puzzle, Mouse Pad, Metal Board, Fridge Magnet, Coaster, Slipper, Bag, Cushion etc

Assembly Drawing:



- | | | | |
|-------------------|-------------------|----------------------------|-------------------------|
| ① Arm Support | ② Handle Bar Grip | ③ Davit Arm | ④ Heat Platen |
| ⑤ Circuit Breaker | ⑥ Power Switch | ⑦ GY-06 Digital Controller | ⑧ Emergency Stop Button |
| ⑨ Machine base | ⑩ Slide Rail | | |

Packing:

The machine is packed in strong wooden package and provide with manual.
(154x124x147cm / 154x142x147cm / 149x159x149cm)



Machine Warranty

Microtec's main objective is to support all our customers, who can manage their heat transfer activities without interruption. So Microtec offers FREE SPARE PARTS with a quantitative order and the following guarantee:

- * Free lifetime technical support on all heat press machines.
- * Two-year warranty
- * Five-year warranty on fusions and welds.
- * Five-year warranty on the heating plate.